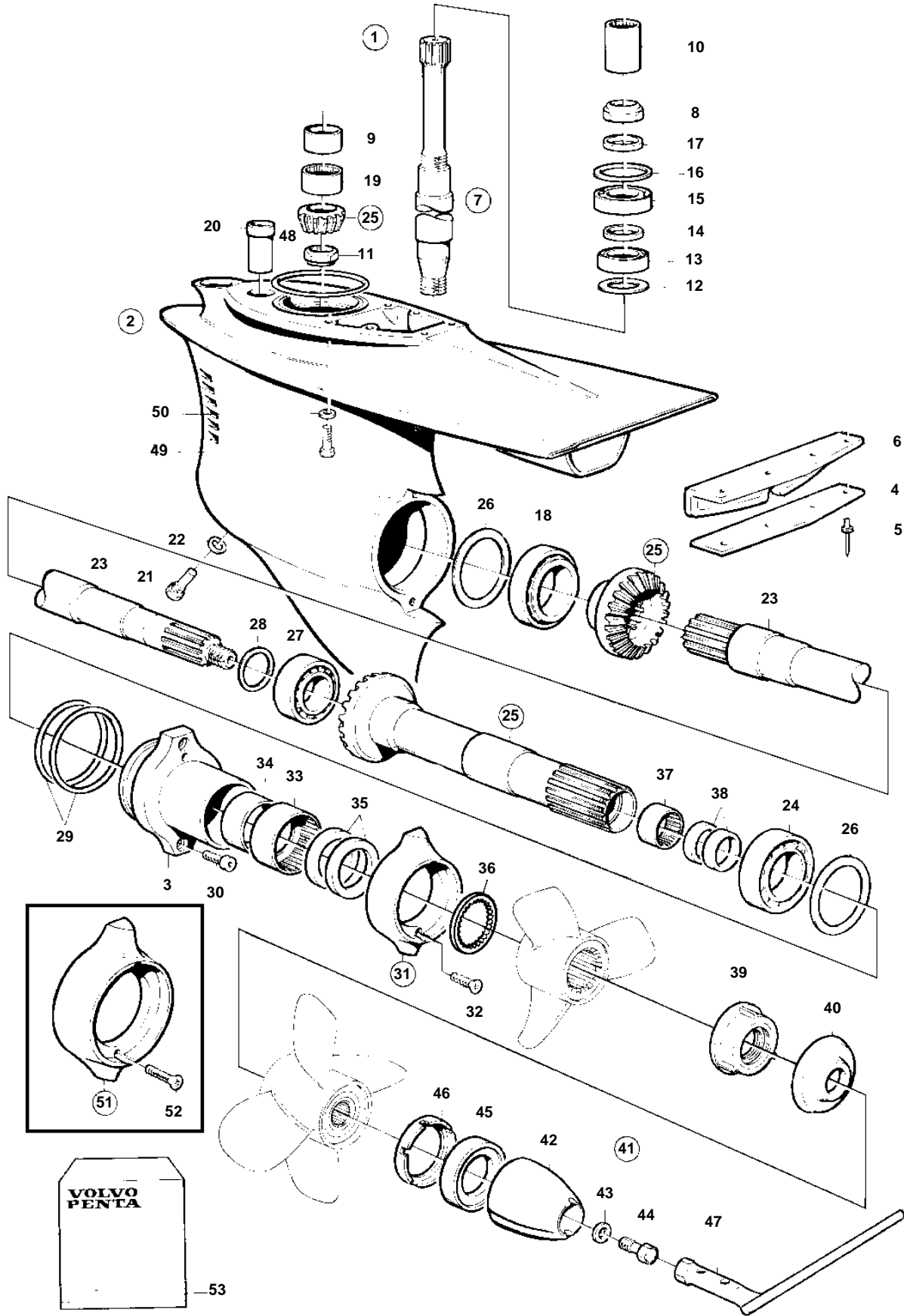


DP-D1



16996

16996

7742700 - 44 - 616

Upd: 29 JUN 2006

DP-D1

REF	PART NO.	QTY	DESCRIPTION	NOTES
1	872769	1	Gear under	RATIO 1.78:1
	3803188	1	Gear under, exchange	Exchange unit
2	3855628	1	· Gear housing	
3	854053	1	· · Bearing housing	
4	872439	1	· · Attaching plate	
5	977711	4	· · Pop rivet	
6	872438	1	· · Check valve	
7	854611	1	· Intermedi.shaft kit	
8	969071	1	· · Round nut	Included in gasket kit.
9	184682	1	· · Inner ring	
10	3852268	1	· · Splined sleeve	
11	852212	1	· Nut	Included in gasket kit.
12	941832	X	· Shim	TH=0,05mm
	941833	X	· Shim	TH=0,20mm
13	183374	1	· Ball bearing	
14	944970	X	· Shim	
15	11072	1	· Roller bearing	
16	944522	X	· Shim	TH=0,05mm
	42981	X	· Shim	TH = 0,10mm
	968057	X	· Shim	TH=0,20mm
	42980	X	· Shim	TH=0.35mm
17	897387	1	· Spacer ring	
18	11044	1	· Bearing	
19	184654	1	· Needle bearing	
20	814482	1	· Oil pump screen	
21	852904	1	· Magnetic plug	
22	955974	1	· O-ring	Included in gasket kit.
23	872533	1	· Driveshaft	
24	184765	1	· Roller bearing	
25	3861458	1	· Gear set	RATIO 1.78:1
26	967352	X	· Shim	TH = 0.05mm
	941823	X	· Shim	TH = 0.10mm
	967351	X	· Shim	TH = 0.15mm
	941824	X	· Shim	TH = 0.20mm
	941825	X	· Shim	TH = 0.40mm
27	184691	1	· Bearing	
28	191834	X	· Shim	TH = 0,10mm
	191835	X	· Shim	TH = 0.15mm
	191837	X	· Shim	TH = 0,25mm
29	925258	2	· O-ring	Included in gasket kit.
30	941812	2	· Screw	
31	875821	1	· Zinc ring kit	
32	966808	2	· · Screw	
33	183859	1	· Needle bearing	
34	184683	1	· Inner ring	
35	851407	2	· Sealing ring	Included in gasket kit.
36	3858457	1	· Thrust washer	
37	183272	1	· Needle bearing	
38	853871	1	· Sealing ring kit	Included in gasket kit.
39	3851334	1	· Propeller nut	
40	3858458	1	· Thrust washer	
41	872549	1	· Propeller cone kit	
42	872547	1	· · Propeller cone	
43	943194	1	· · Washer	
44	872546	1	· · Lock screw	M12
45	853676	1	· · Spacer ring	
46	854294	1	· · Plastic washer	
47	873058	1	· Tool kit	
48	925256	1	O-ring	Included in gasket kit.. Included in complete drive.
49	941810	4	Screw	Included in complete drive.
50	853095	4	Washer	Included in complete drive.
51	876138	1	Magnesium kit	
52	966808	2	· Screw	

7742700 - 44 - 616

16996

Upd: 29 JUN 2006

TMD31L,TAMD31P/L/M/S, AD31P/L,TMD41L,TAMD41P/L/M/H



DP-D1

REF	PART NO.	QTY	DESCRIPTION	NOTES
53	876267	1	Gasket kit, lower gear	SEE GROUP 99